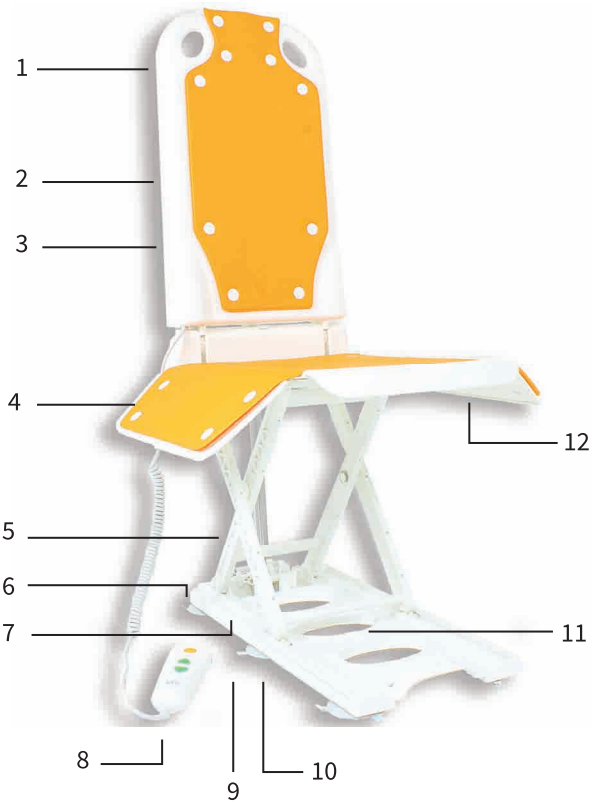




If you or your loved ones have expressed apprehension about getting into the tub, the BathLyft may be your solution.

The BathLyft is a battery operated bath chair that lowers and lifts the user in and out of the bathtub, reducing the strain on the user and preventing the risk of falls. The stable frame and base plate ensure the user's stability and safety while the padding and optimized dimensions ensure a comfortable bathing experience. The Bathlyft's superior design allows for a backrest recline of up to 30° and lowers down into the tub with a minimum sitting position of 3.1in from the bottom. The side flaps move into and out of place to create a transfer surface allowing the user even more peace of mind. The water-tight hand control floats in the tub for easy access while bathing and will provide the user with approximately 15-25 lifts on a single charge. The built-in safety switch will prevent use in case battery is too low to perform a full lift.

Two-piece construction makes this lift easy to assemble, disassemble, store and transport. Set-up is tool-free and ensures easy installation and operation.



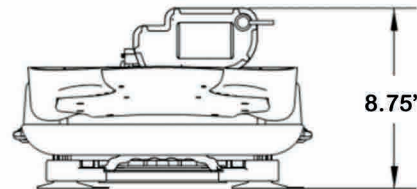
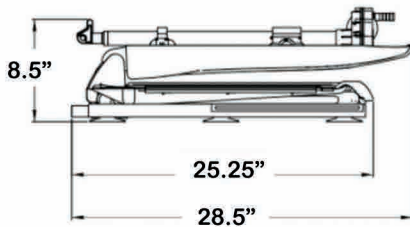
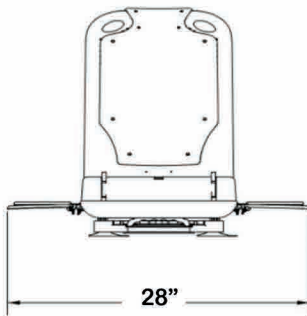
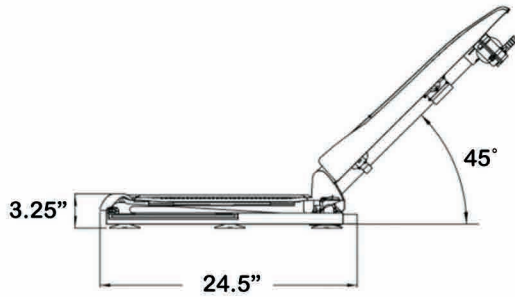
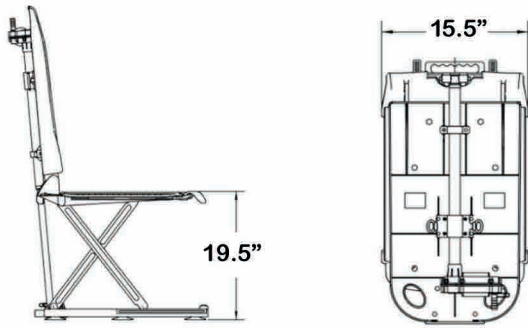
COMPONENTS AND PARTS

- 1. Linear actuator
- 2. Safety pin
- 3. Back rest
- 4. Side flaps
- 5. Scissor rods
- 6. Handle
- 7. Locking parts
- 8. Handset with low battery warning LED
- 9. Slides
- 10. Suction cups
- 11. Base
- 12. Chair seat



Learn more about BathLyft

Scan the QR code with camera or visit <https://www.solutionbased.com/products/bath-lyft>



Product Specs

Overall length (with backrest in a reclined position)	38.8" (985mm)
Overall width (seat incl. side flaps)	28.5" (725mm)
Width of seat	15.7" (400mm)
Depth of seat	16.7" (500mm)
Overall length of seat	23.2" (590mm)
Sitting height min	3.1" (80 mm)
Sitting height max	19.2" (487mm)
Height of backrest	25.6" (650 mm)
Width of backrest	13.8"-14.2" (350-360 mm)
Backrest adjustment	5°-max45°
Width of base plate	12.2" (310mm)
Length of base plate	24.1" (612mm)
Load capacity max	308.6lb (140kg)
Total weight (excl. hand control)	21.2lb (9.6kg)
Total weight (incl. hand control)	22.3lb (10.1kg)
Weight of hand control incl. battery	1.1lb (0.5kg)
Weight of drive unit	7.9lb (3.6kg)
Weight of seat unit	13.3lb (6.0kg)
Duration of lifting/lowering movement each	under 230lbs load, 105kg lifting: 90s; lowering: 50s
Operating voltage	14.8V
Storage battery (lithium-ion)	14.8V/2.2Ah
Automatic shutdown	max. 30min
Power input	16.8V

FEATURES

1. Maintenance Free, powerful and quiet
2. High backrest, can be positioned and folded with one hand
3. Tool-Less Assembly
4. Compact. Fits into most standard tubs