



bathLyft

Toll Free
877-240-7 DME



OPERATING INSTRUCTIONS



Health Care **HEALTHCARE** 24 HR
HOME MEDICAL SUPPLY ASSISTANCE AVAILABLE

Get Lyfted with the help of SolutionBased Industries.

Perhaps you or a loved one have expressed apprehension about getting into the tub. If "How will I get out?" is the common theme of your thought process, SB (SolutionBased Industries) may have the answer for you. The creators of ShowerBuddy and TubBuddy present the bathLyft : A product that will have you enjoying your bathtub again just as you did when you were a kid. Not only does it assist in entering and exiting the tub, but unlike other accessible bath products, the bathLyft will keep you submerged while bathing.

Statistics show that 80% of elderly falls happen in the bathroom area and SolutionBased Industries would like to address this issue. The bathLyft alleviates the fear of falling and creates a reassuring and secure environment to enjoy a nice, soothing bath.

In essence, the bathLyft is a power-charged chair that attaches to the bottom of your tub with six suction cups. With the press of a button It gradually descends into the tub so you can safely take a bath independently and without worry. Simply sit on the edge of the tub and slide onto the bathLyft. Once secure, it lowers you into the water. When finished, just press the button and it will gradually bring you back up to the surface, where stepping out of the tub becomes a breeze. So, get those bubbles ready!

Table of Contents

Product Description	3	Preparations for Use	7
Scope	3	Handset	8
Components and Parts	4	To Use	8
Precautions	5	Emergency Stop	9
Warnings	5	Maintenance	9
The Charger	6	Technical Data Bath Lift	10
Charging Instructions	6	Warranty	11
Instructions	7	Troubleshooting	12

Product Description

Our bath-lift will make your life easier by assisting you in and out of the bath. Also, it is easily transportable so it can be used at home or away.

To achieve the in & out bath assist, a watertight electro-mechanical system lifts the seat above the upper rim of the tub and locks the back rest into place to prevent unintentional tilting. The user can then sit on the seat and then at a touch and hold of a button, the user can lower into the tub and tilt the back rest back for a comfortable bath. When the user is done, they can raise the bath lift above the tub at a touch and hold of a button.

For additional safety, intelligent logic in the electro-mechanical system prevents lowering the bath lift if there is not enough power to raise the bath lift.

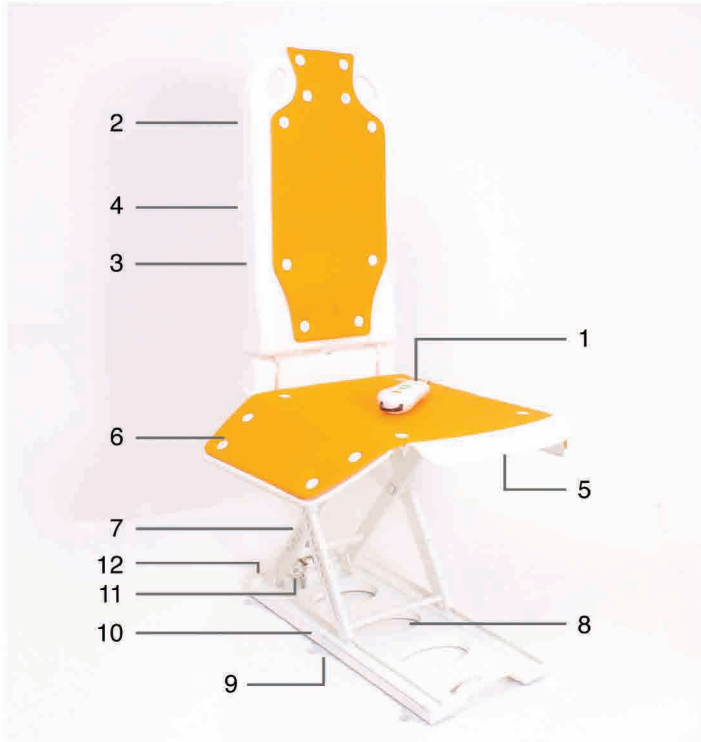
To achieve portability, the bath lift is constructed of high quality, sturdy, lightweight, and recyclable plastic. The seat can be lowered to 8 cm or 3.1 inches and the back rest can be dismantled from the seat.

Scope

Bathing aids assist users with their daily hygiene. These aids compensate, in whole or in part, for restricted or lost physical functions. The goal of using such aids is to enable their users to be independent of help and to give them more privacy.

Bath lifts are used to lower and raise a user in the bath. Their use is recommended if the physical mobility of a person's upper and/or lower extremities is significantly reduced making it difficult to get into or out of the bath or to sit down and stand up safely. In these cases, the use of a bathlift is a great help to re-gain independence and privacy in the bathroom.





Components and Parts

1. Handset with low battery warning LED
2. Linear actuator
3. Back rest
4. Safety pin
5. Chair seat
6. Side flaps
7. Scissor rods
8. Base
9. Suction cups
10. Slides
11. Locking parts
12. Handle
13. Charger

Please confirm all the above parts are included when you unpack the bath lift. Contact your supplier promptly for assistance if there are any parts missing.



Call or Visit Our Website



www.healthcaredme.com

For Further Details Please Contact Us.
 Address: 2911 Carpenter Rd, Ann Arbor, MI 48108.
 Phone: (734) 975-6668, Fax: (734) 975-6678
 Email: info@healthcaredme.com

DmeHealthcare HealthcareHomeMedical

Precautions

1. Before your first use, carefully read and follow the instructions for an ideal user experience;
2. Store the user instructions in a safe, convenient and easily accessible location in case it is needed for future use or contact information;
3. Charge the handset before first use and if the bath lift has not been used for one month;
4. Ensure that the bath-lift fits the user – weight, volume, cognitive ability, joint abilities;
5. Use only inside of standard bathtub;
6. Prior to each use, check all the parts for damage or malfunction, do not use if there is any issue.
7. Have an annual inspection every year by professional technician.
8. Prior to each use, inspect the sucker and chair for cleanliness. Remove any dirt or foreign substance.
9. Ensure the concentrations of bath oils, bath salts and other bath supplies will not damage bath lift structure.
10. User should always exercise caution when using the bath lift by moving slowly on and off the bath lift.
11. Please only use the intended handset with the bath lift.

Warnings

1. Do NOT overload;
2. Do NOT stand on the bath lift;
3. Do NOT face back rest when using;
4. Do NOT install on a steeper surface than 5-degree grade;
5. Do NOT use if parts are damaged;
6. Do NOT use for other purposes other than a bath-lift;
7. Do NOT let children use without adult supervision;
8. Do NOT obstruct moving parts with your body or any other object while in use.
9. Do NOT attempt to repair equipment;
10. Do NOT place objects in the scissors fork near (such as toothbrush, razor, etc);
11. Do NOT place or store handset near to any heat source – ONLY room temperature;

Make sure that the battery is fully charged before use! The voltage rating on the charging unit must be compatible with the voltage of your power supply. For example, 220V- 240V in Europe, and 110V in the USA.

The Charger

1. Only use the included charger or the replacement charger provided by your dealer;
2. Do not charge near water, heat or any other source that could harm the battery;
3. Charge immediately when the LED low battery light is on;
4. The charging LED indicator is red while charging and green when the battery is fully charged. Typically takes 2 hours: 30 minutes to charge;
5. Do NOT use charger for any other purposes other than charging the handset;
6. Do NOT open the handset

Charging Instructions

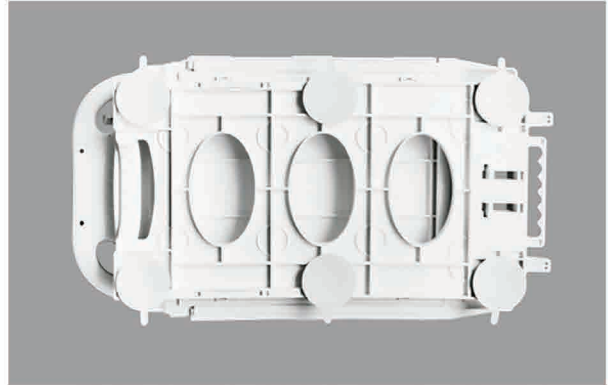
1. Disconnect the handset from the with bath lift;
2. Ensure the handset, connectors and the charger are dry;
3. Connect the handset's female plug to charger's male plug;
4. Plug charger into the correct wall outlet;
5. When the charging is complete, unplug charger from the wall;
6. Disconnect handset from charger;
7. Reconnect handset to bath lift.



Instructions

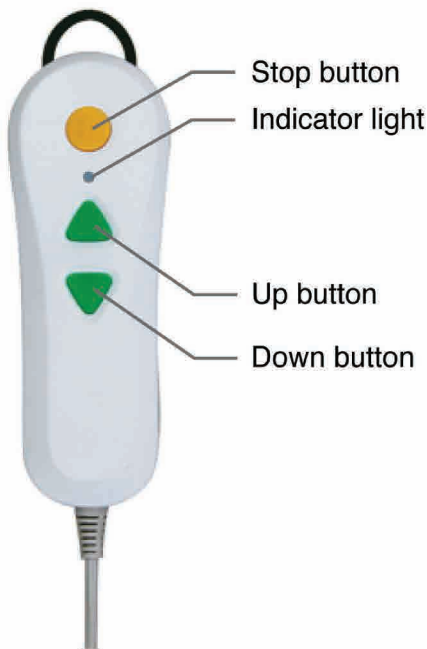
Preparations before use:

1. Please confirm there are no parts damaged or lost before using;
2. Ensure the six suction cups are secured to the bath lift;
3. Ensure there are no obstructions that prevents the bath lift to execute full operation such as a shower head;
4. Confirm the bathtub meets the relevant standards;
5. If needed, seek assistance to place and secure bath lift to the bathtub;
6. Ensure the ground is dry with no obstacles to prevent some accidental falls while installing the bath lift;
7. Place the bath lift inside the bathtub where there is enough space for the back rest to tilt backwards;
8. Ensure that the six suction cups are seated and fully secured to the bathtub;
9. Ensure that the male plug of bath lift and the female plug of the handset are totally dry, and then securely connect them;
10. Ensure the handset cable is completely out of the way of the bath lift or anything else that it can become entangled with.



Handset

1. Check handset LED before each use;
2. If the handset indicator lights, please charge it immediately;
3. Please ensure that the bath water temperature is comfortable;
4. The UP button on the handset will cause the bath lift to rise, the DOWN button will cause the bath lift to lower, the STOP button will cause the bath lift to stop motion;
5. The buttons on the handset are textured to assist persons with visual impairments;
6. Some bath lifts require that the user push and hold the handset buttons for operation;
7. The back rest can recline to 45 degrees when the bath lift is fully lowered;
8. For the bath lift to rise, the back rest must be at 90 degrees to ensure safety.



To Use:

Assemble back rest to seat:

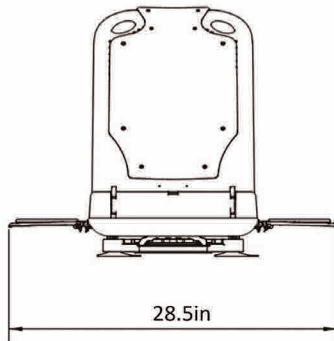
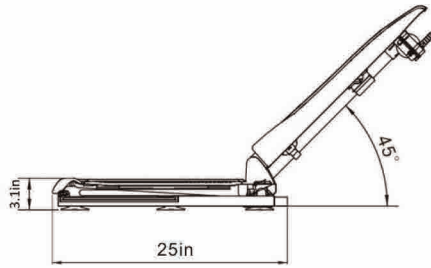
1. Place the back rest on the back of the seat;
2. With one hand hold the back rest at the grip and with your other hand tilt the back rest until it rests against the base plate.
3. Insert the integrated drive unit at the bottom of the backrest into the bearing block of the seat.

Sit on and use:

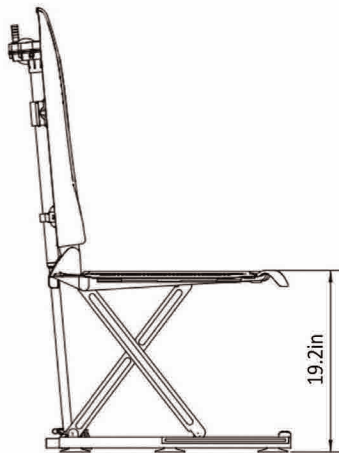
1. Use the handset to move the bath lift all the way up so the back rest is at 5 degrees and the side flaps are over the sides of the bathtub;
2. Sit on the side plate with your back towards the opposite side;
3. While in that position slide into the center of the seat;
4. Rotate your upper torso and put your feet in the tub;
5. Use the handset to lower the bath lift into the tub, while lowering ensure your feet are ad other objects are not obstructing the motion of the bath lift;
6. Use the handset down button to adjust the back rest to the desired resting angle up to 45 degrees.
7. When bath is complete, use the handset to raise the back rest and then the bath lift.
8. Place feet outside tub.
9. Rotate upper torso and slide over to the side flap.

Always use handset during regular operation

Bath Lift Lowered Position



Bath Lift Raised Position



Emergency Stop

1. In the event of an emergency and an immediate stop is needed, push the STOP button.
2. If the STOP button is pressed, the down function is disabled until the bath lift is raised to its maximum height, which will reset the system

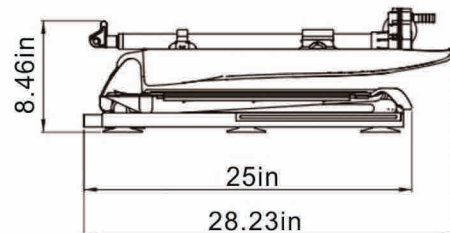
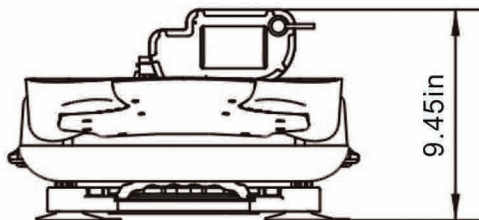
Maintenance

1. After each use, rinse with warm water. Use wash cloth or brush to remove excessive dirt or grime.
2. Do NOT use detergents on or soak handset or linear actuator in water.
3. Only clean handset while connected to the bath lift NOT disconnected or connected to the charger.
4. Ensure that bath lift is fully dry before storing;
5. Only handwash;
6. Do NOT wash the charger, only wipe with a dry cloth.

Technical Data Bath Lift

Overall length (with backrest in a reclined position)	985 mm (38.8in)
Overall width (seat incl. side flaps)	725 mm (28.5in)
Width of seat	400 mm (15.7in)
Depth of seat	500 mm (16.7in)
Overall length of seat	590 mm (23.2in)
Sitting height min	80 mm (3.1in)
Sitting height max	487mm (19.2in)
Height of backrest	650 mm (25.6in)
Width of backrest	350-360 mm (13.8in-14.2in)
Backrest adjustment	5°-max45°
Width of base plate	310 mm (12.2in)
Length of base plate	612 mm (24.1)
Load capacity max	140 kg (308.6 lb)
Total weight (excl. hand control)	9.6 kg (21.2 lb)
Total weight (incl. hand control)	10.1 kg (22.3 lb)
Weight of hand control incl. battery	0.5 kg (1.1 lb)
Weight of drive unit	3.6kg (7.9 lb)
Weight of seat unit	6.0kg (13.3 lb)
Duration of lifting/lowering movement each	under 105kg load, lifting:90s; lowering:50s
Operating voltage	14.8V
Storage battery (lithium-ion)	14.8V/2.2Ah
Automatic shutdown	max. 30min
Power input	16.8V

Both Lift Folded Size



Warranty

Our warranty for the BathLyft will be in accordance with legal stipulations and/or regulations valid in the different countries. The warranty applies to Commercial and Domestic applications, subject to the conditions stated here. In the event of any part/product developing a manufacturing fault or design fault within the warranty period, replacement parts will be supplied free of charge. In all instances the warranty is provided to the first-time purchaser or user only. The warranty is not transferable to another user, whosoever the product is passed on or sold.

BathLyft.com grants a guarantee of three years on the frame of this product and three years on the hand control with charger. Excluded from this guarantee are wear parts as covers and suction cups.

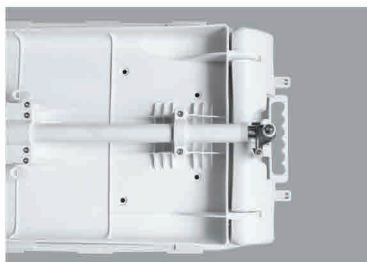
Damage due to natural wear or improper handling is excluded from our guarantee. Damage caused by material or manufacturing faults will be remedied free of charge by way of replacement or repair. Our guarantee will become invalid in the event of unauthorized manipulation of any kind. Guarantee claims can only be accepted if the device is returned to the supplier in a non-dismantled condition. Any further claims are excluded unless in the case of contradicting mandatory national stipulations. We are not to be held liable for any indirect or direct damage or consequential damage, loss or expenses in connection with the use or inability to use the device for a specific purpose. Tacit agreements concerning the use or suitability for a specific purpose are expressly excluded.

Troubleshooting

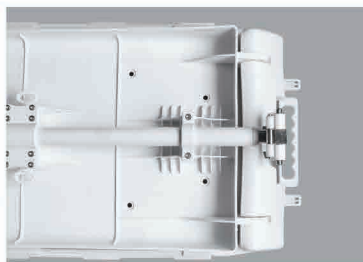
Error	Possible Cause	Remedy
Lift does not move	<ul style="list-style-type: none"> • Battery is depleted • Contacts on hand control are contaminated • Hand control is not connected properly 	<ul style="list-style-type: none"> - Charge battery - Unplug hand control; wipe contacts with a dry cloth and plug hand control in again - Check plug type connections
Lift stops repeatedly	<ul style="list-style-type: none"> • Battery is depleted • Excessive lifting load • Loose connection 	<ul style="list-style-type: none"> - Charge battery - Reduce lifting load (note max load ratings, see type label on the bath lift) - Check connection
Battery does not charge	<ul style="list-style-type: none"> • Not connected to mains power • Contaminated contacts 	<ul style="list-style-type: none"> - Connect battery charger to mains power - Wipe contacts with dry cloth
Hand control does not function correctly	<ul style="list-style-type: none"> • Loose connection between handset and bath lift 	<ul style="list-style-type: none"> - Ensure jack plug is fully plugged in

Important remarks concerning troubleshooting:

1. If the linear actuator becomes disconnected as shown in "Picture 1", manually adjust the linear actuator so it mates correctly as shown in "Picture 2".
2. If troubleshooting does not solve the issue, please contact your dealer immediately.



Picture 1



Picture 2



HEALTHCARE

HOME MEDICAL SUPPLY

24 HR
IMMEDIATE
RESPONSE



Call or Visit Our Website

Toll Free
877-240-7 DME

www.healthcaredme.com

For Further Details Please Contact Us.

Address: 2911 Carpenter Rd, Ann Arbor, MI 48108.

Phone: (734) 975-6668, Fax: (734) 975-6678

Email: info@healthcaredme.com

 DmeHealthcare  HealthcareHomeMedical