



The ShowerBuddy SB1 shower transfer system will turn your existing shower tray into an accessible shower tray that allows you to enjoy showering again without the excessive cost, delay and stress of a full bathroom remodel.

The ShowerBuddy SB1 alleviates heavy lifting and multiple transfers for toileting and showering. This chair is separated into three sections; rolling base (shower chair), bridge and shower base. The rolling base rolls around the house like a wheelchair allowing patient to easily transfer and then roll right over a toilet (certain toilets). Once completed with toileting, the rolling base can connect to the bridge and then onto the shower base allowing the chair to slide into the shower. Once inside the shower, the bridge disconnects and the shower base turns allowing the user to face the shower controls.

The Showerbuddy system is made of aluminum which will not rust or corrode when in contact with water. Height adjustability on rolling base and shower base- allowing for use in a variety of shower stall sizes. Rolls over some toilets- allowing for “no mess” alternative to commode usage. Custom bridge sizes are available- allowing for use in a variety of bathroom sizes.



FEATURES

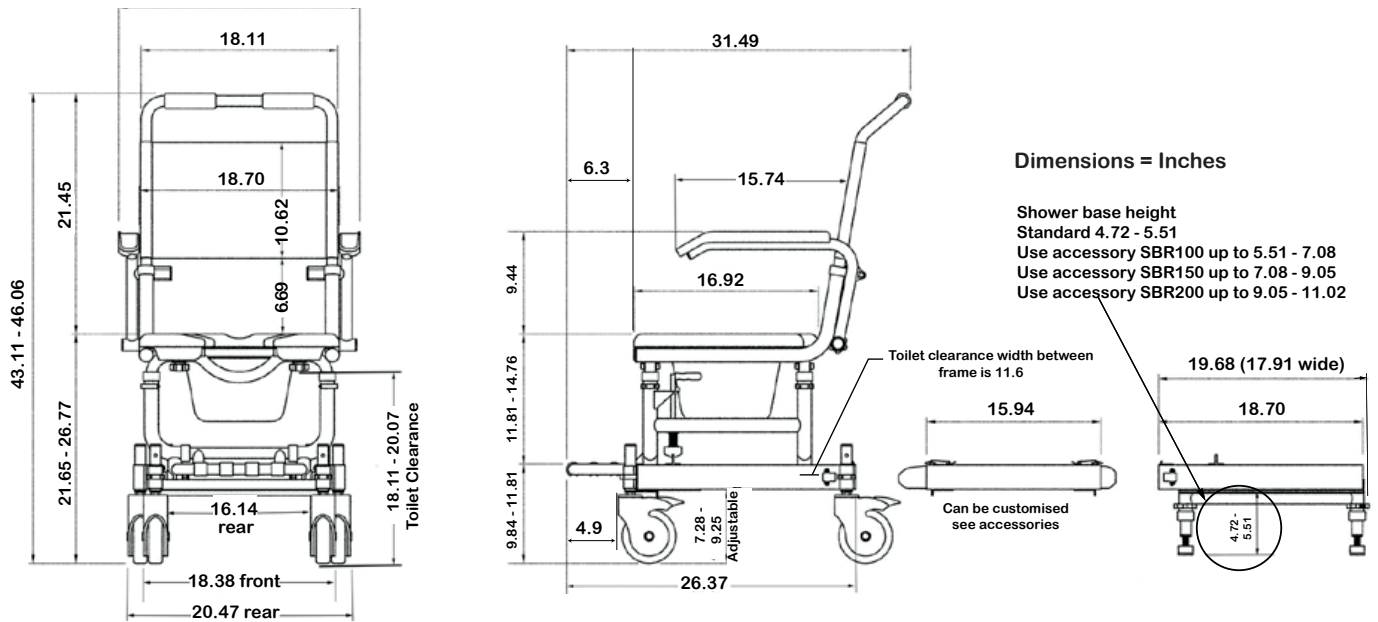
- The Showerbuddy SB1 system is made of aluminum which will not rust when in contact with water.
- Height adjustability on rolling base and shower base-allowing for use in a variety of shower stall sizes.
- Rolls over some toilets- allowing for “no mess” alternative to commode usage.
- Custom bridge sizes are available-allowing for use in a variety of bathroom sizes



Learn more about the SB1 for a curbed shower

Scan the QR code with camera or visit www.solutionbased.com/collections/products/products/sb1-showerbuddy





Product Specs	
Weight Limit	350lb (158kg)
Rolling Base (W x D)	18.4" x 22" (467mm x 560mm)
Rolling Base w Footrests (W x D)	18.4 x 26.5 (467mm x 675mm)
Overall Outer Armrest Width	22.5" (570mm)
Inner Armrest Width	18.7" (475mm)
Inner Width Between Main Legs	14.9" (380mm)
Backrest Width	18" (460mm)
Backrest Height from Cushion	17" (440mm)
Toilet Height Clearance (Max)	23.2" (590mm)
Standard Bridge Length (Can Be Customized)	16" (405mm)
Seat Cushion WxD	17.7" x 16.5" (450x20)
Seat Cushion Height from Floor (Adjustable)	21.5" - 26.7" (550mm - 680mm)
Seat Cushion Opening (W x L)	6.8" x 13" (17 19.2" x 19.2" (490mm x 490mm) W x D 5mm x 335mm)
Backrest Width Shower Base (Over Suction Cup Feet)	18" (460mm)

Product Features	
Armrests	Removable / Lockable / Flip-back
Height	Height Adjustable
Frame Material	Corrosion resistant Aluminum frame (Grade 6061 T6)
Misc. Parts	Stainless steel parts and hardware (Grade 304)
Rotation	Rotates 360 degrees inside shower (subject to space) - Footrest - fold-up
Safety Belts	Lap & Chest Belts
Caster Wheels	5" (125mm) , Lockable
Commode	Removable Commode System

Shipping Information	
Weight	63.00 LBS
Height	24.00
Width	22.00
Depth	29.00
SKU	SB1